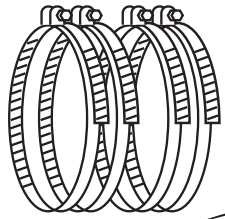
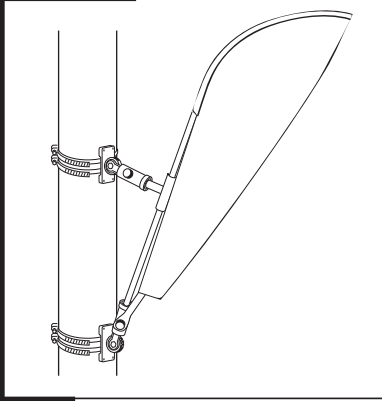


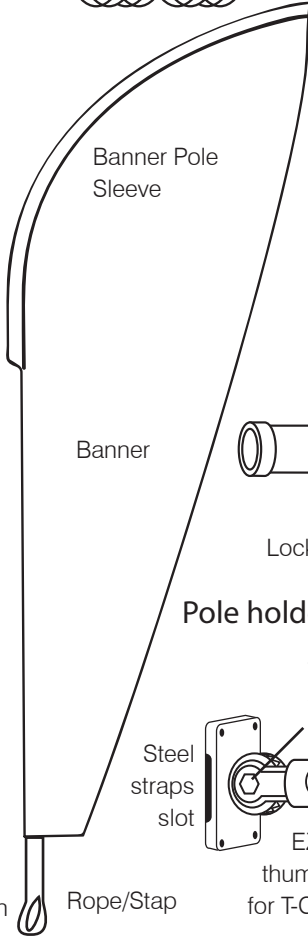
# Streetview Wing

For information call (919) 304-3973

## Installation Instructions

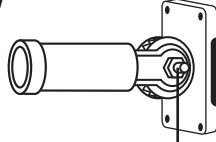


Adjustable stainless steel straps



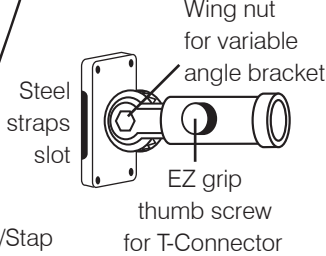
Banner Pole Sleeve

Banner



Locked-in nut

Pole holder brackets



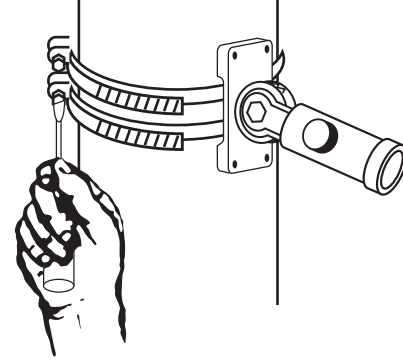
Wing nut for variable angle bracket

Steel straps slot

EZ grip thumb screw for T-Connector

Rope/Stap

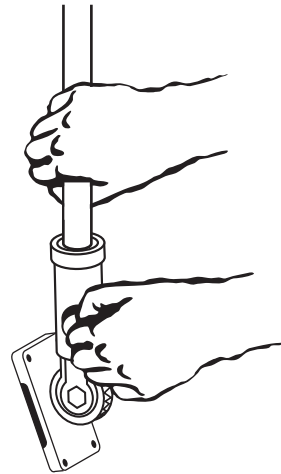
Maximum Wind Load: 45 mph



1

Install pole holder bracket for T-connector using supplied adjustable stainless steel straps. Loosen pole holder by unscrewing wing nut.

2 Install fiberglass pole with T-connector in second pole holder. Tighten EZ Grip Thumb screw.

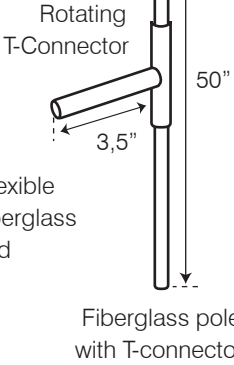


3

Install flexible fiberglass rod in the connector located at the top of the fiberglass pole.



### PARTS

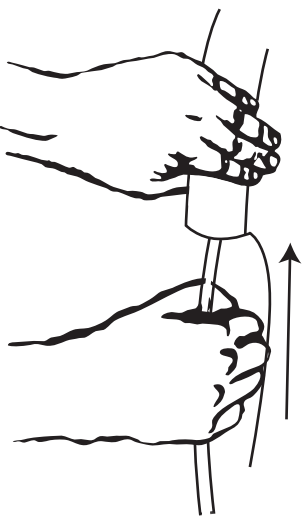


Rotating T-Connector

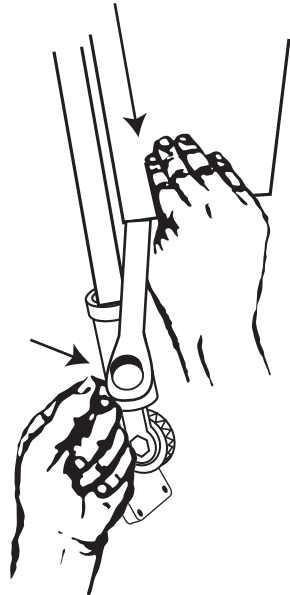
Flexible fiberglass rod

Fiberglass pole with T-connector

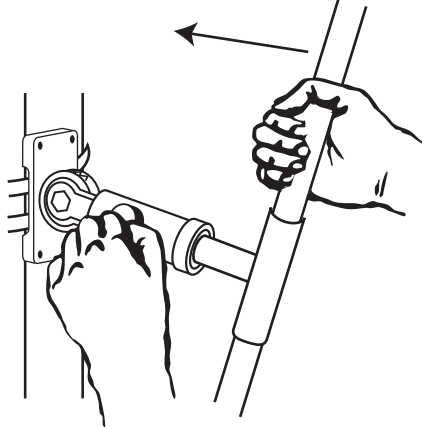
4 Slide the flexible rod in the banner sleeve until the rod tip reaches the end of the sleeve



5 Pull the rope at the bottom of the banner to stretch it and secure it around the EZ grip thumb screw



6 Push the end of the T connector in the installed pole holder bracket. Tighten the EZ grip thumb screw.



7 Grab the uninstalled pole holder bracket and move into position on the pole. Secure it using the supplied steel straps. Tighten the wing nuts so as to keep the pole holders at the right angle.

